

Technical Specification of SG700 5G AI Box



VERSION NUMBER: **V2.1**

XIAMEN KEY-IOT TECHNOLOGY CO., LTD
www.key-iot.com



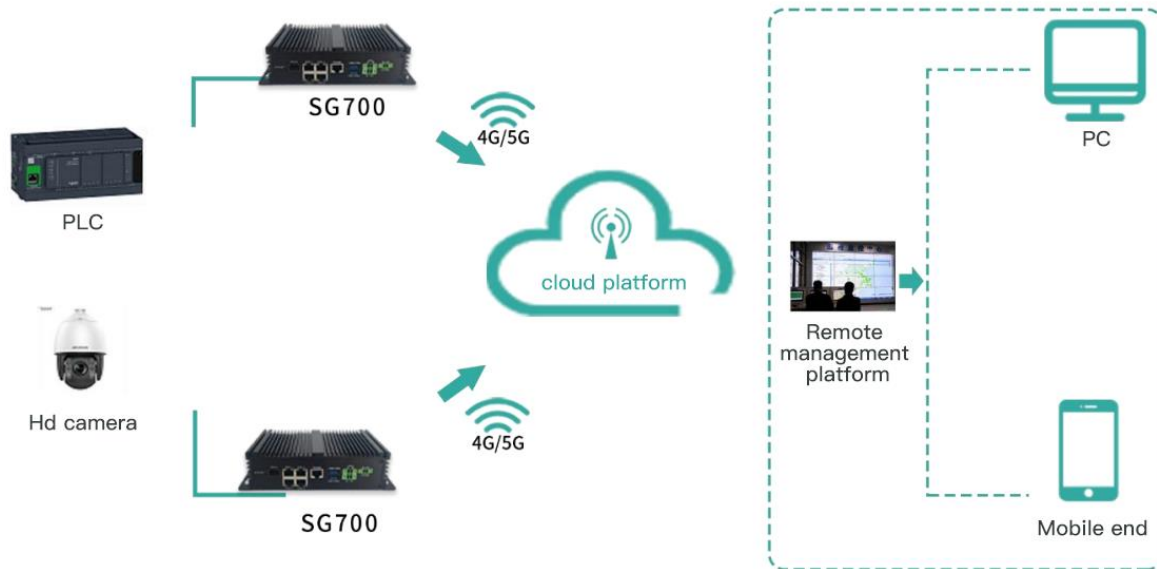
Product Overview

The SG700 is an edge visual intelligence terminal equipped with the Cambricon AI acceleration chip, providing powerful computing power for edge inference, offering up to 16 TOPS (INT8) of computing power. It can perform structured video analysis on multiple network cameras, supporting up to 16 channels of 1080p30 video decoding and 8 channels of 1080p30 video encoding. The product supports cloud-based remote maintenance and algorithm updates, with the cloud able to push corresponding algorithm updates for different application scenarios.

Product Features

- Industrial design, capable of withstanding harsh environments
- 4 Gigabit Ethernet ports, 1 Gigabit optical port, supporting 4G and 5G
- AIOT, artificial intelligence black box, powerful computing power, supporting Cambricon AI acceleration chip, low power consumption, high efficiency
- Fully supports TensorFlow, PyTorch, and Caffe frameworks, supporting up to 200+ operators and numerous networks

Topology

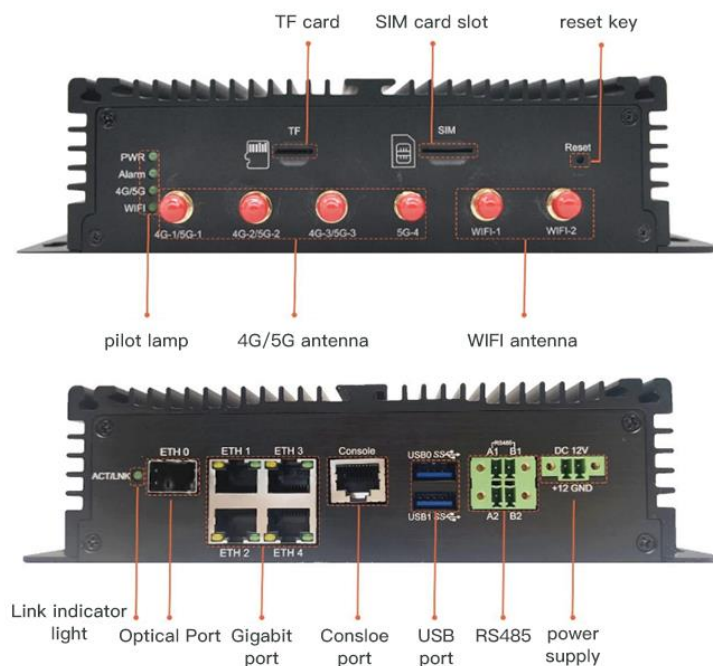


Technical Parameters

Hardware Platform	MLU220	Remark
Optical port	1 Gigabit port	
Fixed Business Interface	4 Gigabit ports	RJ45 interface
Console Port	1, supports RS232	RJ45 interface
Processor	MLU220	4-core A55@1.5GHz
memory	8GB	Onboard MLU220 module
EMMC	32GB	Onboard MLU220 module
SPI-FLASH	16MB	Onboard MLU220 module
USB port	2 pcs	panel
4G Module	Supported (optional)	MPCIIE slot
5G Module	Supported (optional)	M.2 slot
Solid State Drive	Supported (optional)	M.2 slot
WIFI	Supported (optional)	SDIO interface
TF Card	Supported	
RS485	2 channels	Terminals
Power Supply	12V3A	Adapter
Mean Time Between Failures (MTBF)	≥100,000h	

Dimensions (L*H*D/mm).	180*118*53.5mm
Temperature	(-35,70) °C
Humidity	5%~90% (non-condensing)
Input Rated Voltage	12V·DC
Maximum Power Supply (W)	25W

Product Interfaces



Product Dimensions

单位:mm
unit:mm

